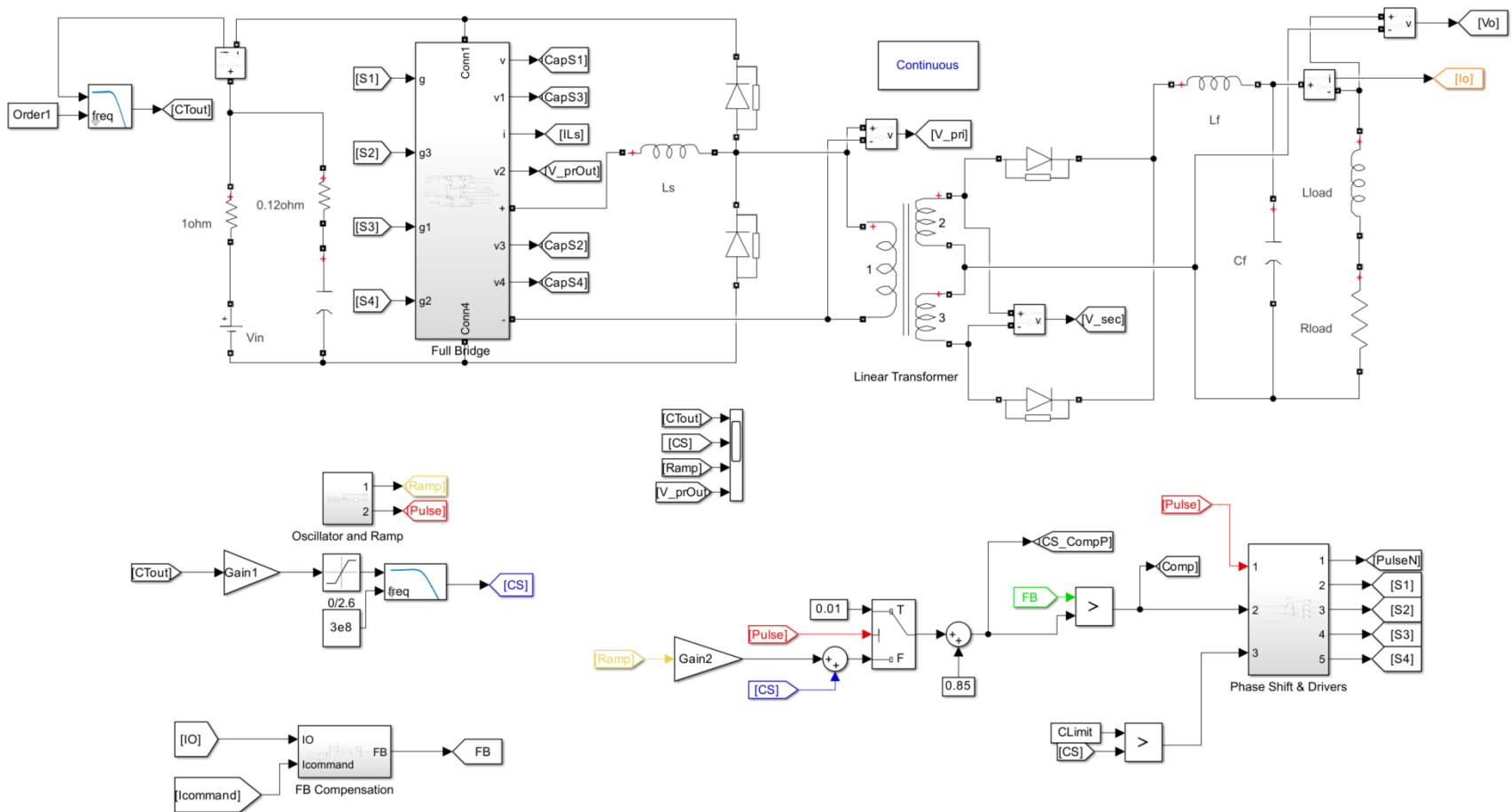


# PHASE SHIFTED FULL BRIDGE MATLAB/SIMULINK MODEL

BASED ON TI 1895 CONTROLLER

## 1. COMPLETE SIMULINK MODEL





### 3. FULL BRIDGE SIMULINK BLOCK

